

# DIN RAIL Power Supply

## TPS10-100W Green Power Series



10 W, 30 W, 60 W, 100 W

Input: 85 - 264 VAC, 47 - 63 Hz or 120 - 370 VDC  
 Output: See Table  
 Output: 10 - 100 W  
 No Load Consumption: < 0.3 W

### Electrical Specifications

#### Input

Input Range: 85 - 264 VAC or 120 - 370 VDC automatically  
 Frequency: 47 - 63 Hz  
 Power Factor: Meets EN61000-3-2, EN61000-3-3

#### Output

Output Voltage adjust: See Table  
 Hold-up Time: 20 ms full Load, 230 VAC  
 Ripple/Noise: < 1 % of Output Voltage  
 Output Power: Max. 110 - 145 % above Peak Rating  
 Protections (Auto Recover): Overload Protected by > 110 % Output Current, OVP, OTP

#### Safety, EMC

CE compliance with Low-Voltage Directive 2014/35/EU  
 EMC Directive compliance with 2014/30/EU  
 LED Safty certification EN61347-2-13  
 Safty compliance with UL508, UL60950-1, EN60950-1  
 Case Material Plastic V0 (UL compliant), RoHS

#### Environmental

Operating Temperature: 0°C - 50°C Ambient (Derating from 50°C - 70°C)  
 Electromagnetic Susceptibility: Meet IEC 801, -2, -3, -4, -5, -6, Level 3  
 Humidity: 5 - 95 %, Non-Condensing  
 Storage Temperature: -25°C - 85°C  
 Altitude: 3000 m  
 MTBF demonstrated: > 350.000/h at full Load at 25°C Ambient

#### Mounting

Mounting at DIN RAIL TS 35/7.5 or TS 35/15 vertical  
 N, L and DC Terminal: Cable in AWG26 - 14 (0.15 - 2.5 mm<sup>2</sup>), 300 VAC

#### Accessories and Packing

1 x Power Supply  
 1 x Manual

### Special Features

- Compliance with No Load Power and Efficiency V (CEC 2004)
- Certificated EN61347-2-13
- Profile following to IEC439-1 for Low-Voltage Switchgear and Controlgear
- Parallel and Serial Function
- Convection Cooled
- IP 20 Double Insulation
- 5 Years Warranty

### Key Applications

- Buildingautomation
- Alarms and security
- LED Lighting
- Environment Control Systems

### Ordering Information

Article No.	Article Name	Voltage (V)	Current (A)	Power( W)	Efficiency
901003419-42388	TPS010-GP12V	12 - 15	0.85	10	80 %
901003420-42369	TPS010-GP24V	24 - 28	0.42	10	80 %
901003519-42389	TPS030-GP12V	12 - 15	2.5	30	84 %
901003520-42372	TPS030-GP24V	24 - 28	1.25	30	85 %
901003619-42390	TPS060-GP12V	12 - 15	4.5	54	87 %
901003620-42373	TPS060-GP24V	24 - 28	2.5	60	87 %
901003720-42391	TPS100-GP12V	12 - 15	6	72	87 %
901003721-42374	TPS100-GP24V	24 - 28	4.2	100	89 %

1. Output in 48 VDC Optional
2. Efficiency at 220 VAC by max. Load

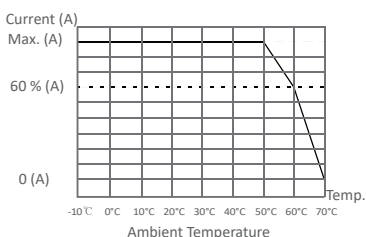


# DIN RAIL Power Supply

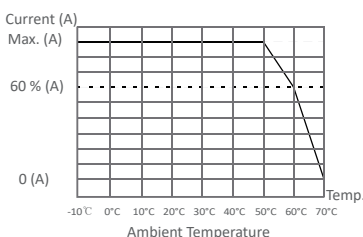
## TPS10-100W Green Power Series

### Deratings

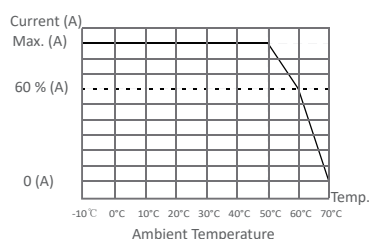
TDR10-Series



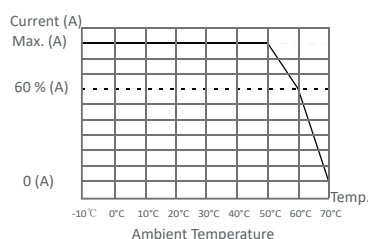
TDR30-Series



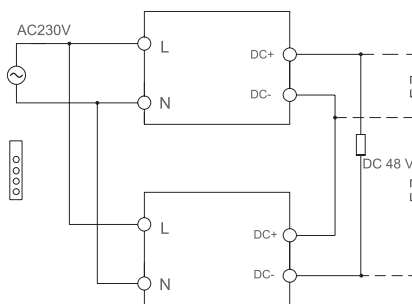
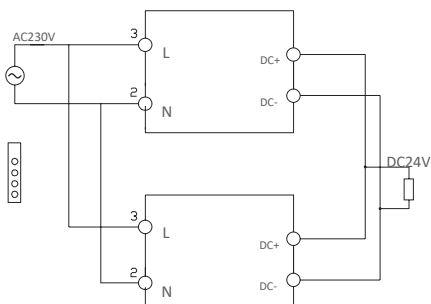
TDR60-Series



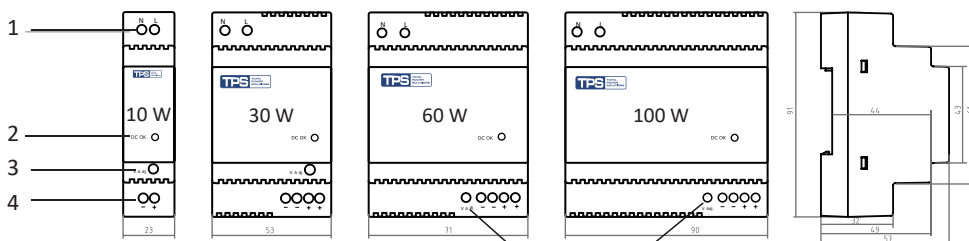
TDR100-Series



### Parallel and Serial Function Application



### Mechanical Drawing (mm), Terminal Block and LED Indicator



- 1 N, L Input Terminal for 90 - 264 VAC
- 2 LED Indicator for DC-OK
- 3 DC-Output Adjust
- 4 DC-Output Terminal



Dieses elektronische Gerät darf am Ende seiner Lebensdauer nicht im Hausmüll entsorgt werden. Zur Rückgabe stehen in Ihrer Nähe kostenfreie Sammelstellen für Elektroaltgeräte sowie ggf. weitere Annahmestellen für die Wiederverwendung der Geräte zur Verfügung. Entsprechende Adressen erhalten Sie von Ihrer Stadt- bzw. Kommunalverwaltung. Sollte das alte Elektro- bzw. Elektronikgerät personenbezogene Daten enthalten, sind Sie selbst für die Löschung dieser Ihrer Daten verantwortlich, bevor sie es zurück geben. Weitere nützliche Informationen finden sie auf: [www.elektrogesetz.de](http://www.elektrogesetz.de)

This electronic device must not be disposed of in the household waste at the end of its service life. For your return, there are free collection points for electrical appliances and, if necessary, additional points of acceptance for the reuse of the devices in your area. The addresses can be obtained from your city or communal administration. If the old electrical or electronic device contains personal data, you are responsible for deleting it before you return it. Further information: [www.elektrogesetz.de](http://www.elektrogesetz.de)